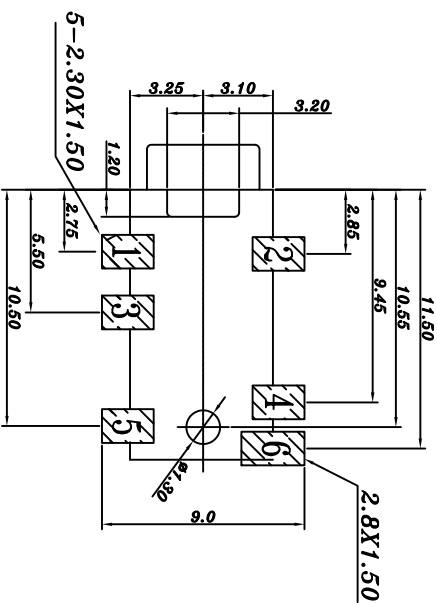


REV. LTR.	DESCRIPTION	SIGN	DATE
△			



PJ31060	PJ31060-1	PJ31060-2	PJ31060-3
PJ31060-4	PJ31060-5	PJ31060-6	

SPECIFICATION

1. Rating : DC 30V 1.0A ;
2. Contact resistance : ≤ 30mΩ ;
3. Insulation resistance : ≥ 100MΩ (DC250V) ;
4. Withstand voltage : 500VAC ;
5. Insertion and extraction force : 3-30N ;
6. Life test : 5000 cycles .

NO.	DESCRIPTION	QTY	MATERIAL	PART NO.	REMARK
7	HOUSING	1	ORANGE		
6	CURVE PIECE	1	AU-PLATED		
5	CURVE PIECE	1	AU-PLATED		
4	SPRING	1	AU-PLATED		
3	SPRING	1	AU-PLATED		
2	SPRING	1	AU-PLATED		
1	SPRING	1	AU-PLATED		

NO.	DESCRIPTION	QTY	MATERIAL	PART NO.	REMARK
	TYPE: $\phi 3.5$ PHONE JACK			PJ31060-	
	UNIT:MM		MODEL NO:		

DESIGNER BY:	CHECK BY:	APPROVED BY:

承永實業有限公司
BLUE SOURCES ELECTRONICS CO.,LTD.

PAPER NO: A4	SCALE	VER
±0.3	±2	07